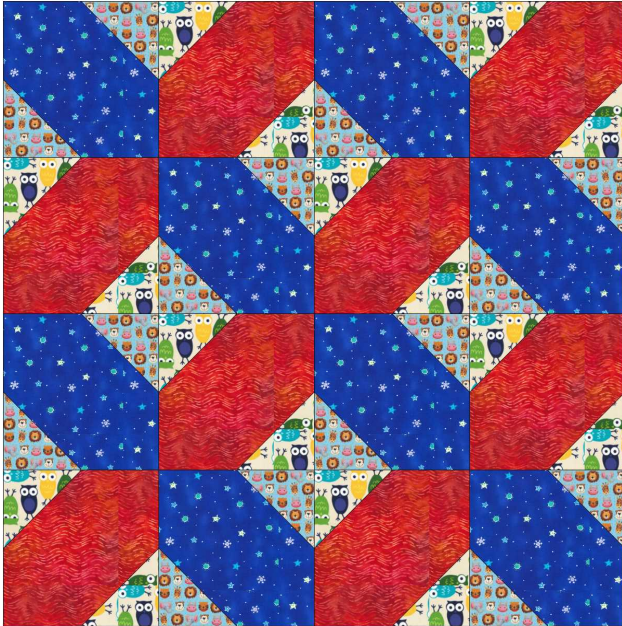


X TIMES 4 and WONKY STAR

2 EASY PREMIE SIZE QUILTS from the same block! – 36" X 36"

No Borders

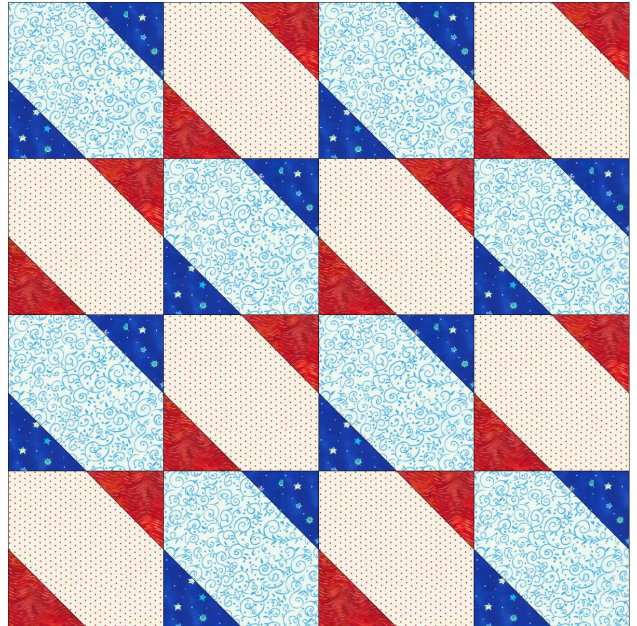
QUILT A



4 blocks
across
by 4
blocks
down

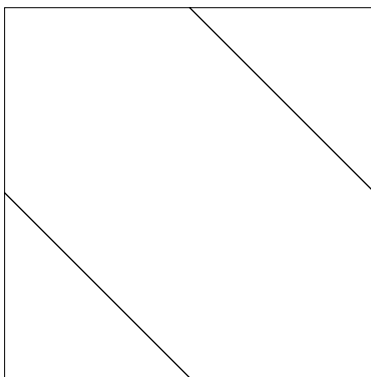
Blocks are 9"
(finished)

QUILT B



These 2 quilts are made from the same simple block!

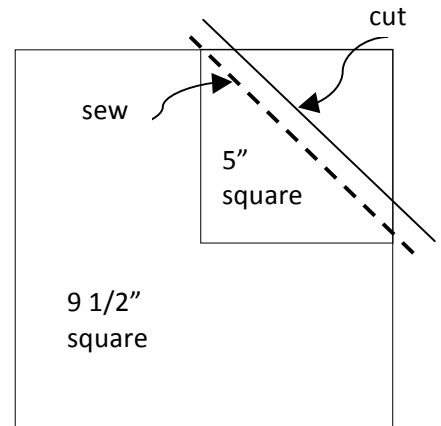
How easy is this?



Look at the above photos for colour placement.

You will need 8 blue and 8 red (9 1/2") squares

dark for Quilt A and light for Quilt B.



Place a 5" square on the corner of the larger square. Draw a line across the smaller square diagonally and stitch.

OR: place your ruler with a line 1/4" away from the edge of the ruler on the dotted line and cut and then stitch. Repeat this again on the opposite diagonal corner.

Save the cut off corners and use as starters and ends (by stitching that diagonal seam to make a bias square) when you are chain piecing and you will soon have enough bias squares for another project.